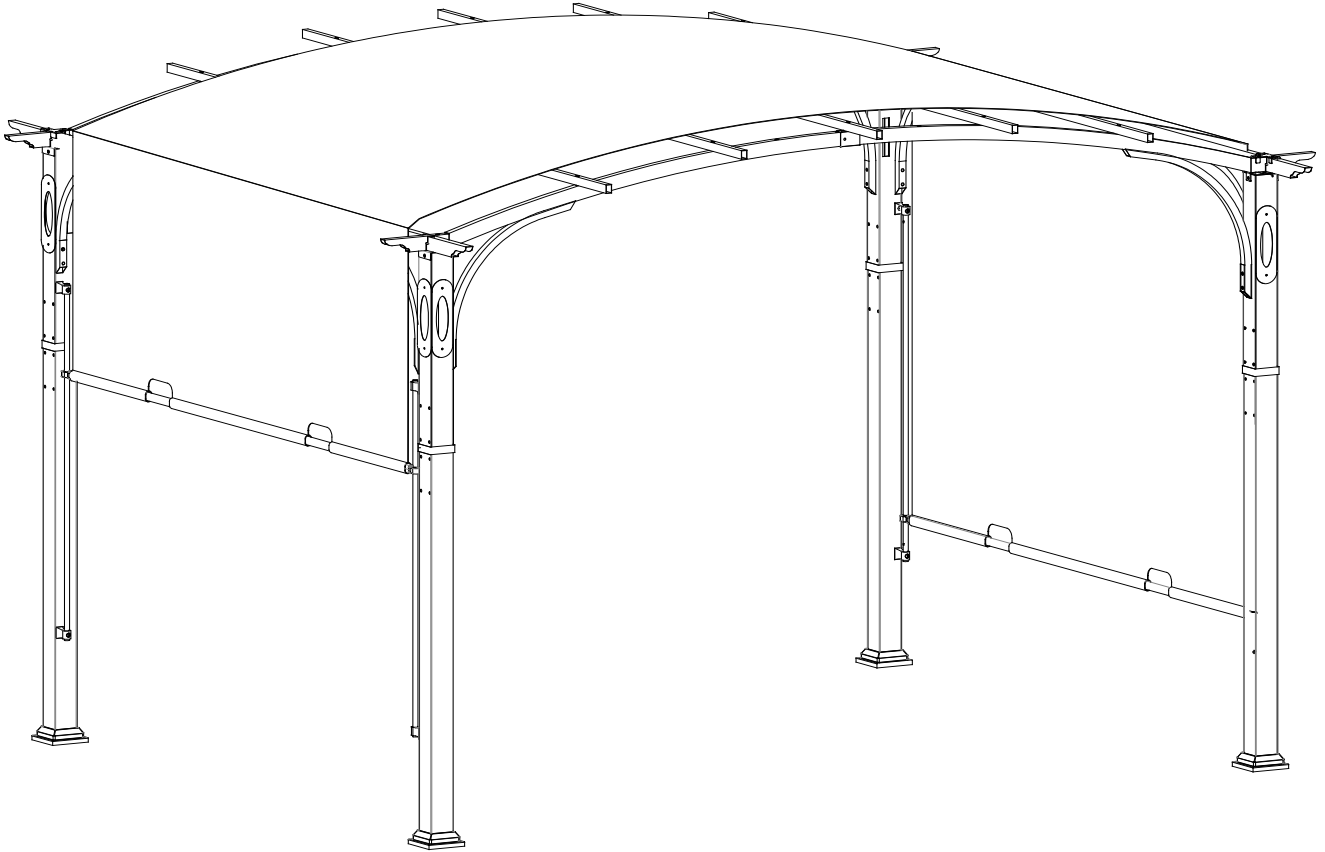


# 10'x8' Pergola Warren

Owner's Manual

OUTDOOR PATIO GAZEBO

MODEL #HFZP04010



## Assemble Tips

1. Secure the assembly area. Keep children and pets away from the assembly area.
2. It is recommended that two or more adults are involved, to assemble the pergola.
3. Ensure that all connectors & poles are firmly secured in position fully. A unstable gazebo may collapse or damage unpredictably.



## Fire Caution

1. Do not use candles, matches or open flames of any kind in or near.
2. Keep all flame and heat source away from this Tent Fabric. This tent is made with fabric that meets CPAI-84 specifications for flame resistance. It is not fire proof. The fabric will burn if left in continuous contact with any flame source.



## Extremely Weather

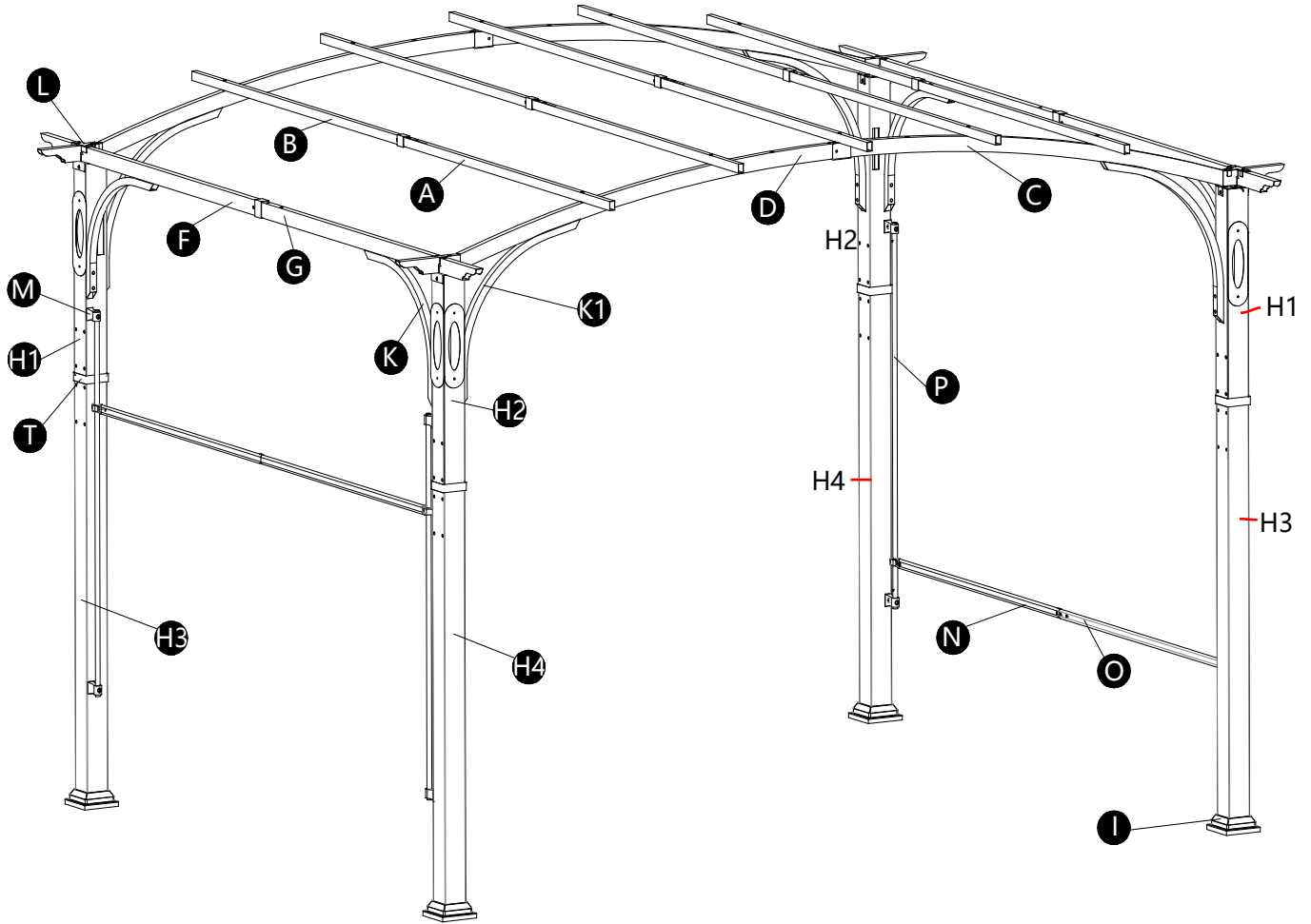
1. Do not leave the gazebo assembled when there is a risk of high wind, the top cloth may be blown away and the structure may be damaged.
2. Do not use the gazebo during an electrical storm.
3. Warranty does not cover damage due to extreme weather conditions.



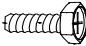



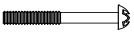



## Contact Us

If you have any comments or suggestions, Please feel free to contact us.

[Service@hofzelt.com](mailto:Service@hofzelt.com)

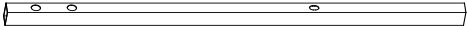
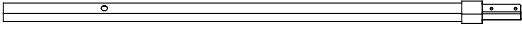




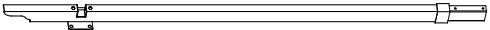

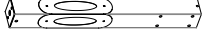

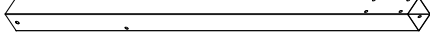

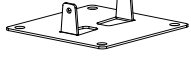






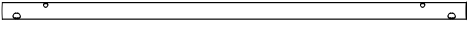





## HARDWARE CONTENTS

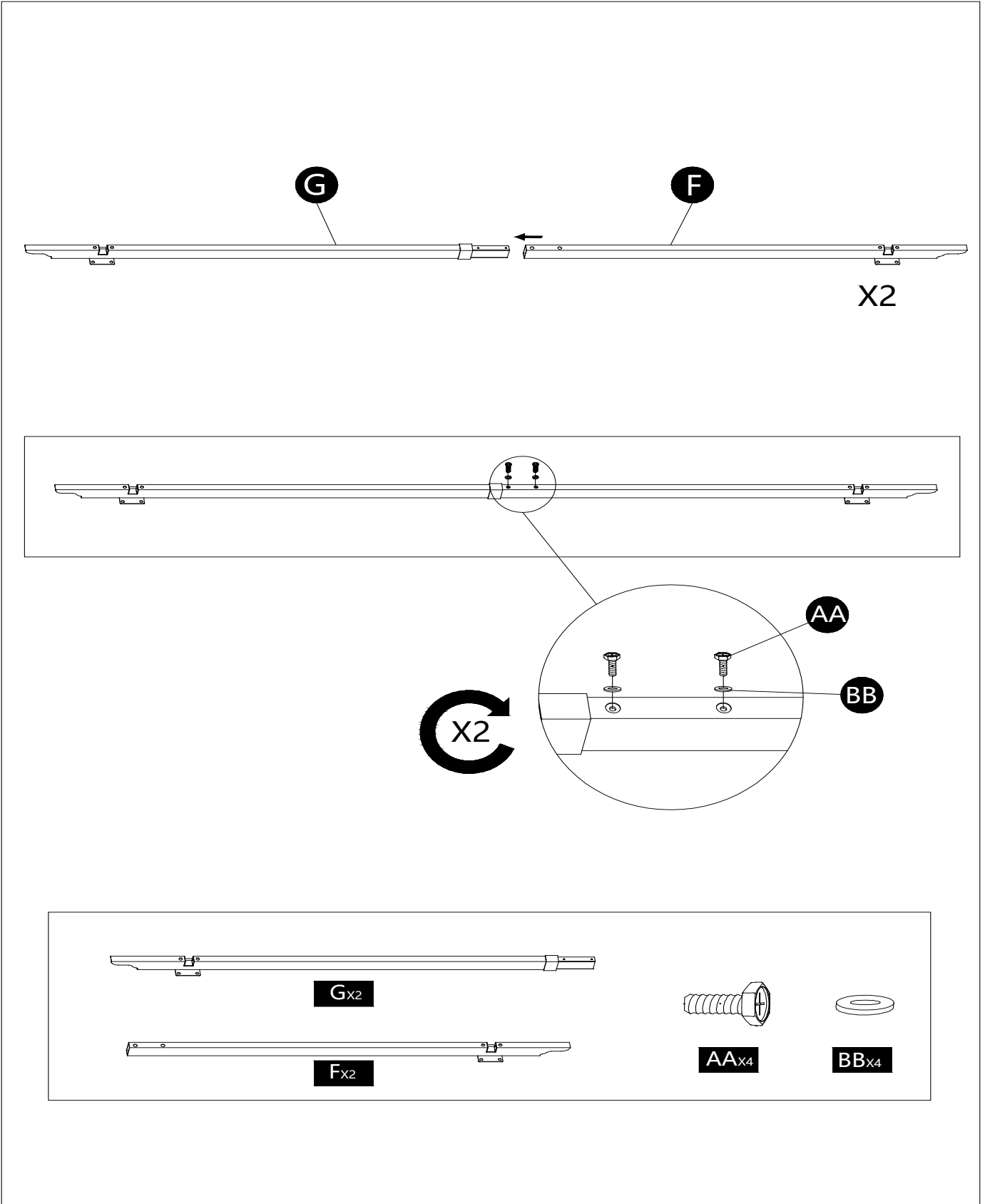
No.	DESCRIPTION	Draft	QTY	EXTRA
AA	M6x20 Bolt		122	7
BB	Washer		168	9
CC	M6x10 Bolt		4	1
DD	M6x45 Bolt		42	3
EE	M6x75 Bolt		8	1
FF	Stake		8	0
HH	Plastic Cap		64	4
Z	Wrench		2	0

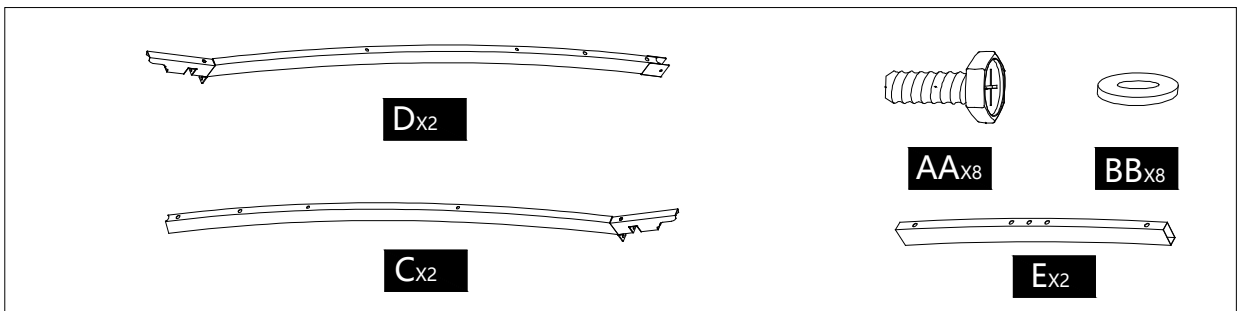
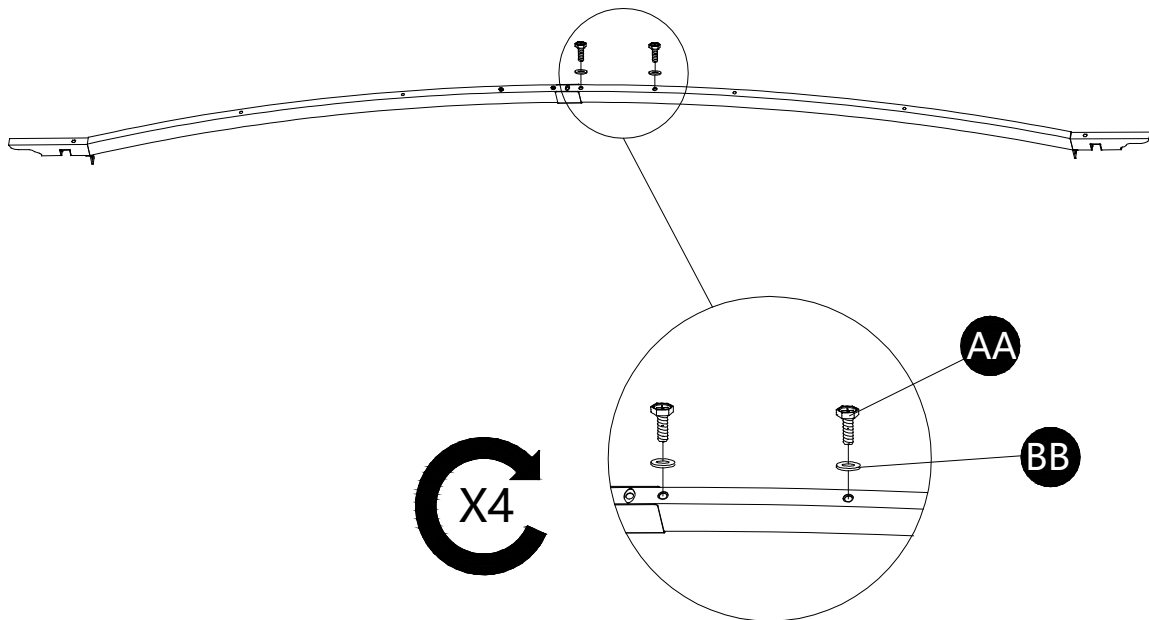
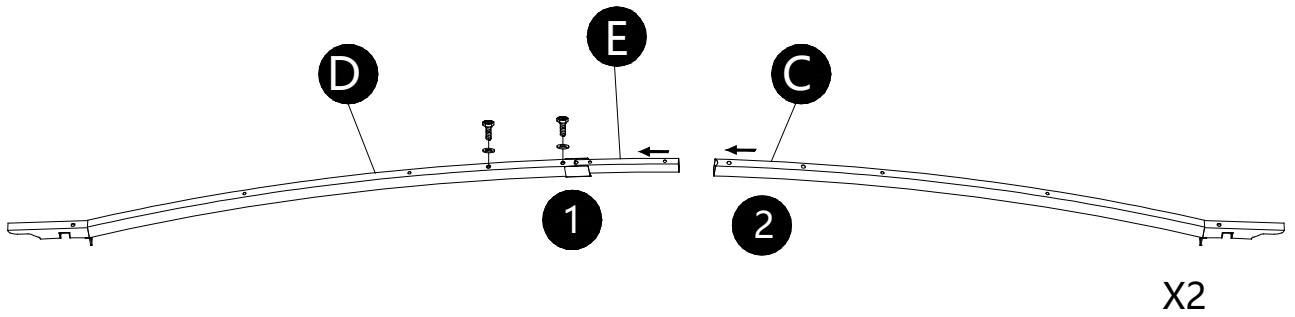
Part HH Plastic Cap is a decorative accessory as a gift. It isn't an essential part for pergola.

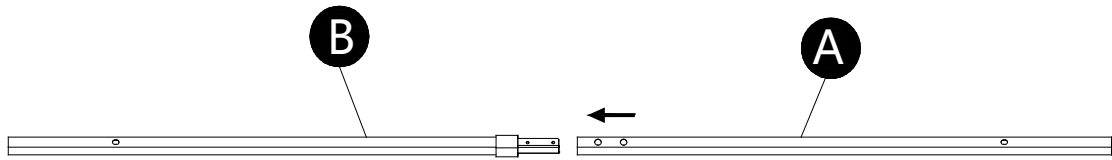
## PACKAGE CONTENTS

PART	DESCRIPTION	Draft	QTY
A	Vertical Beam		5
B	Vertical Beam with Plug		5
C	Arc Beam		2
D	Arc Beam with Stopper		2
E	Arc Beam Connector		2
F	Big Beam 1 to connect Post		2
G	Big Beam 2 to connect Post		2
H1	Upper Post at Left		2
H2	Upper Post at Right		2
H3	Bottom Post at Left		2
H4	Bottom Post at Right		2
I	Stake Cover		4
J	Stake Base		4
K	Straight Side Support		4
K1	Arc Side Support		4
L	Upper Post Connector		4
M	Rail connector		8
N	Canopy Rod		2
O	Canopy Rod with Plug		2
P	Rail Beam		4

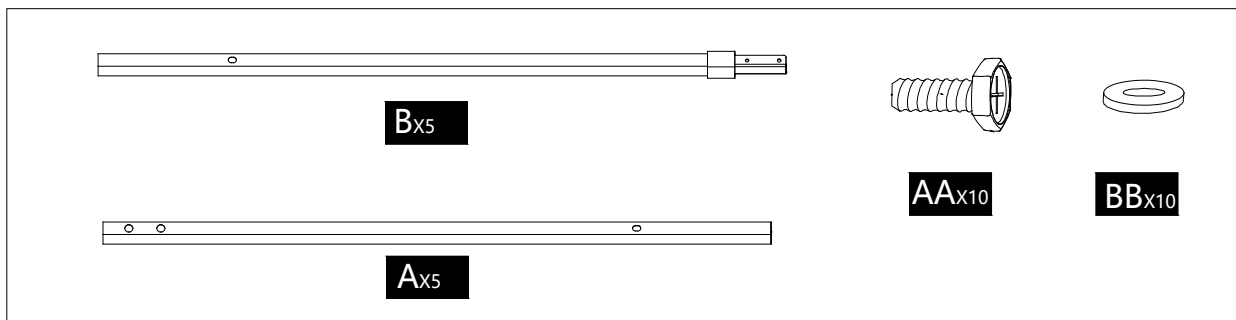
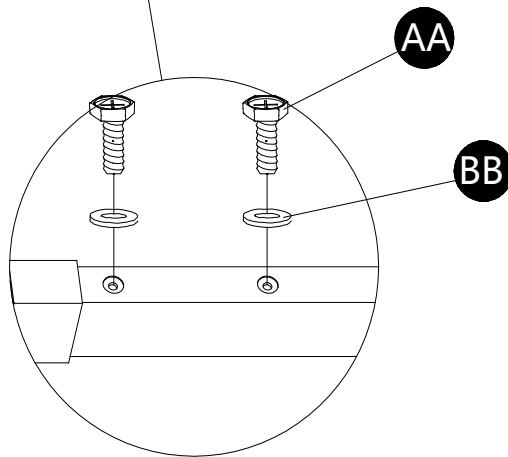
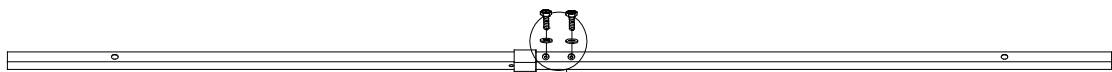
Q	Canopy		1
R	Post Connector		8
T	Plastic Connector		4

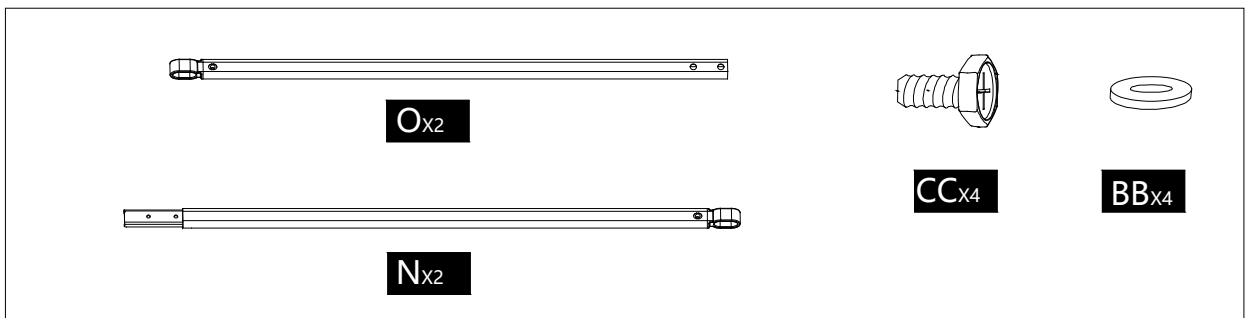
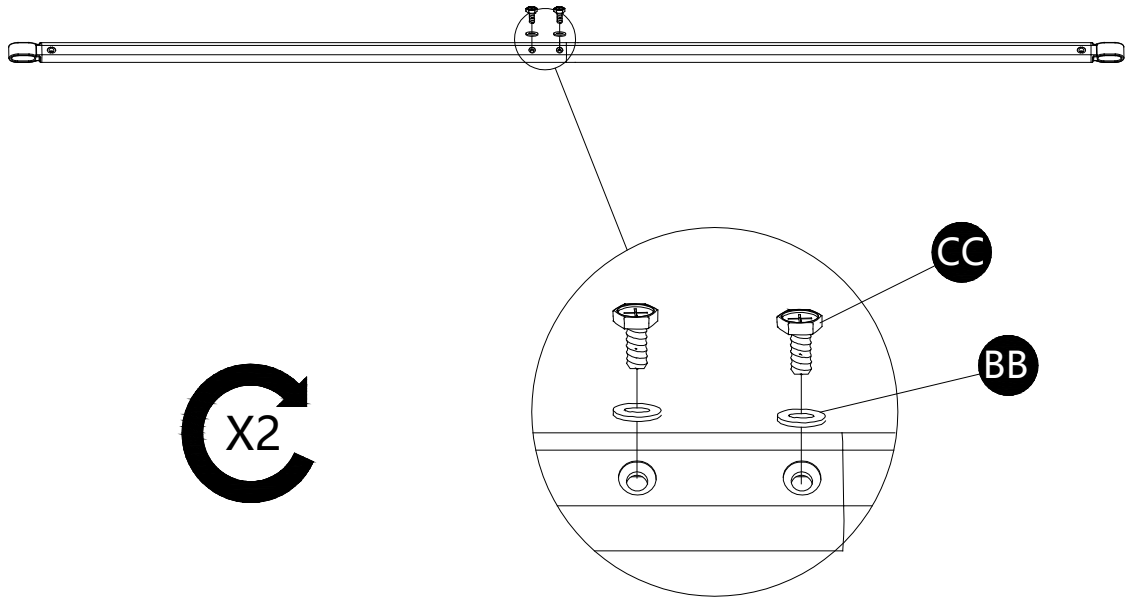
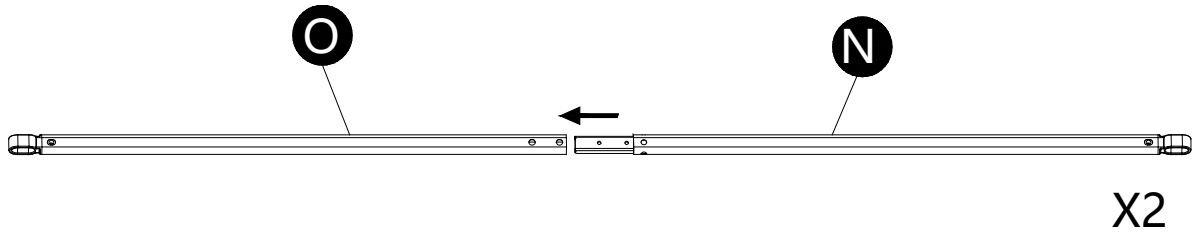


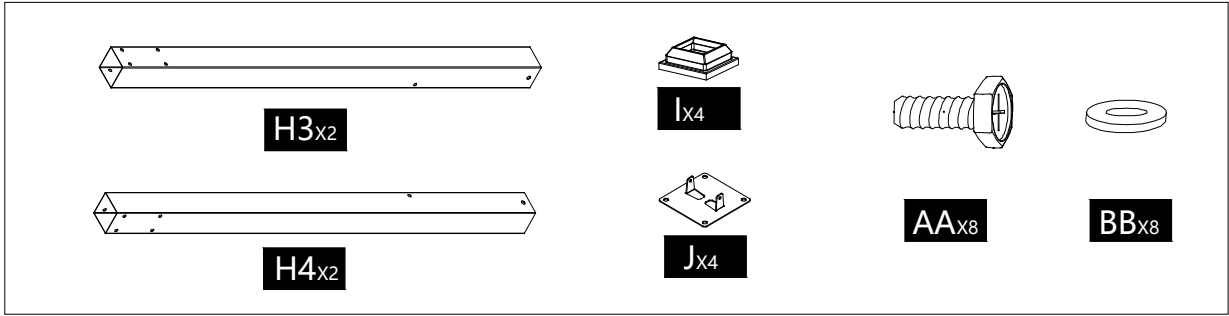
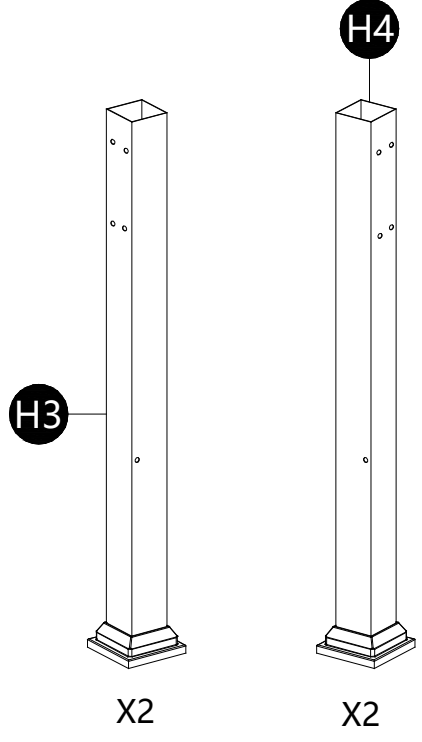
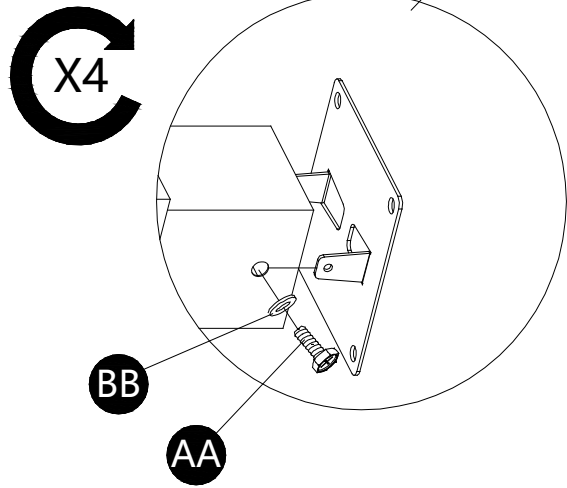
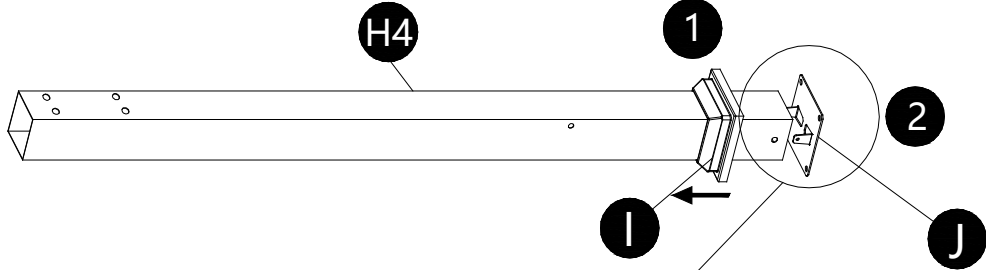
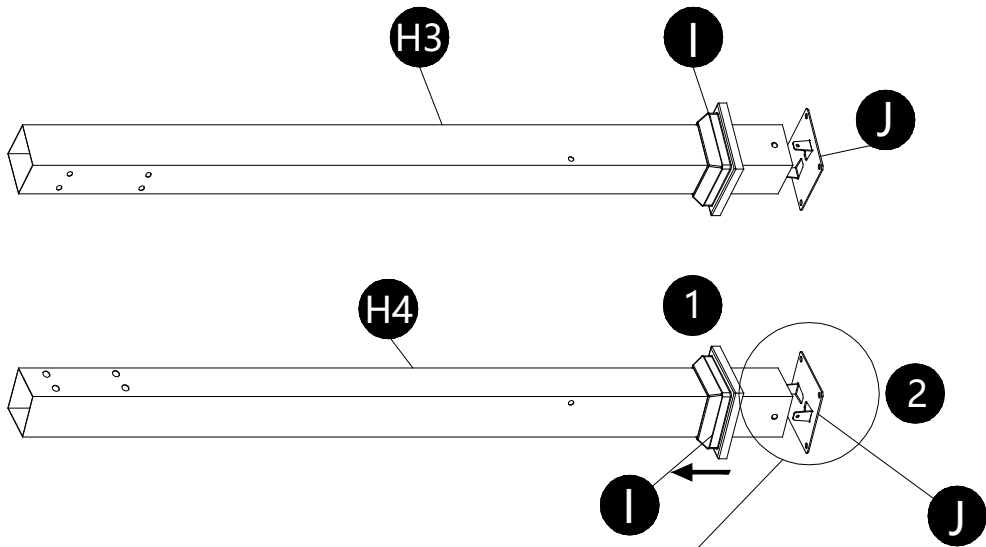




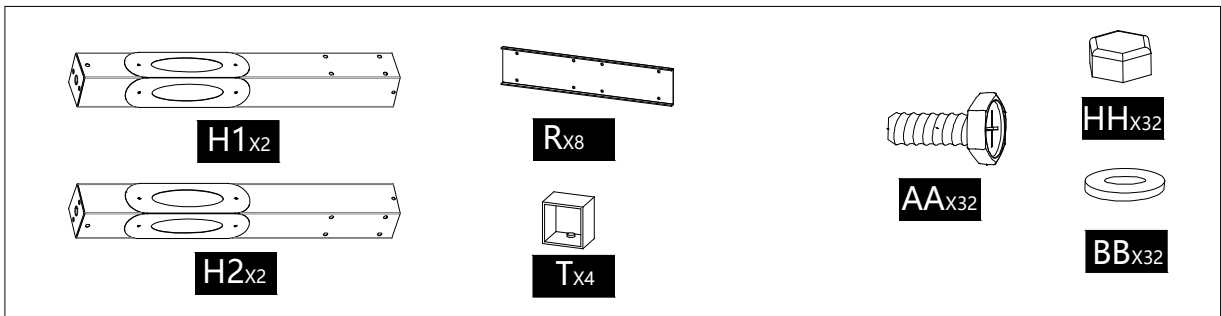
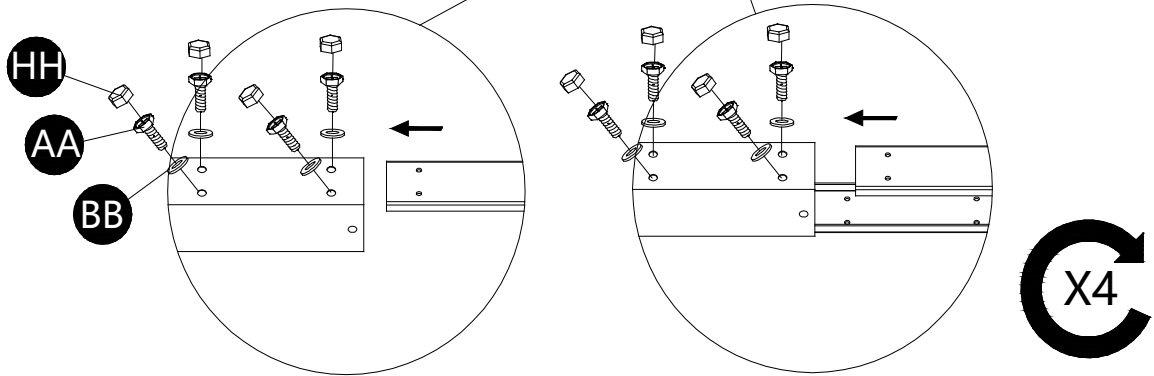
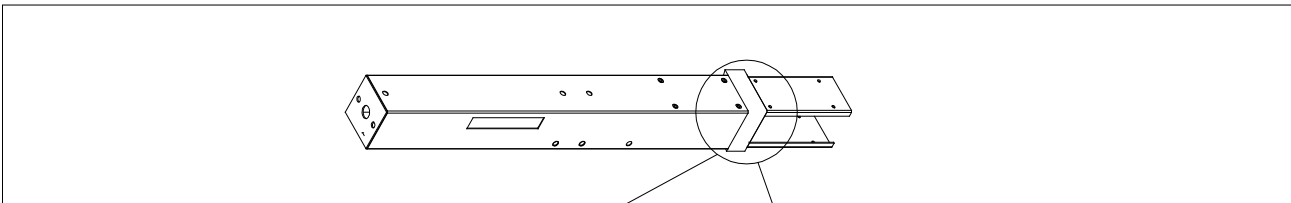
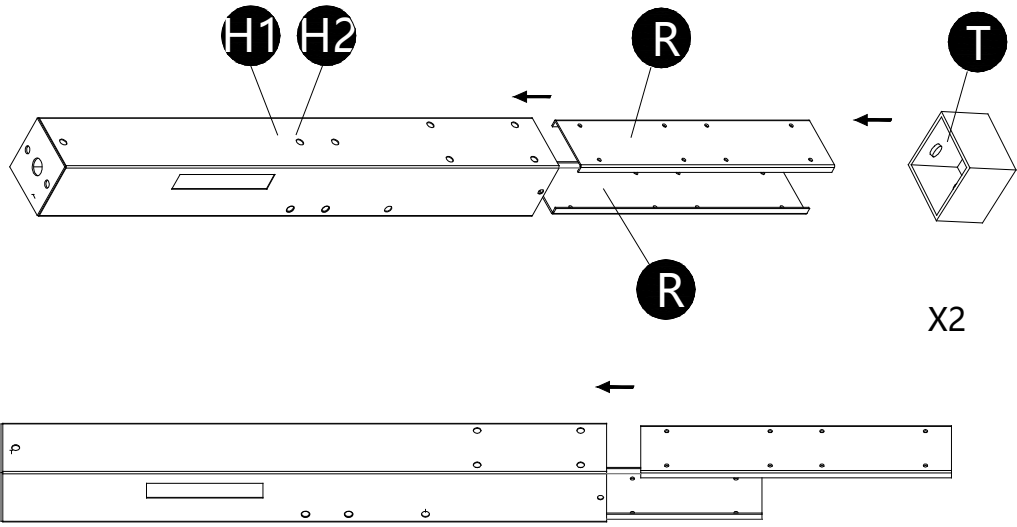
X5



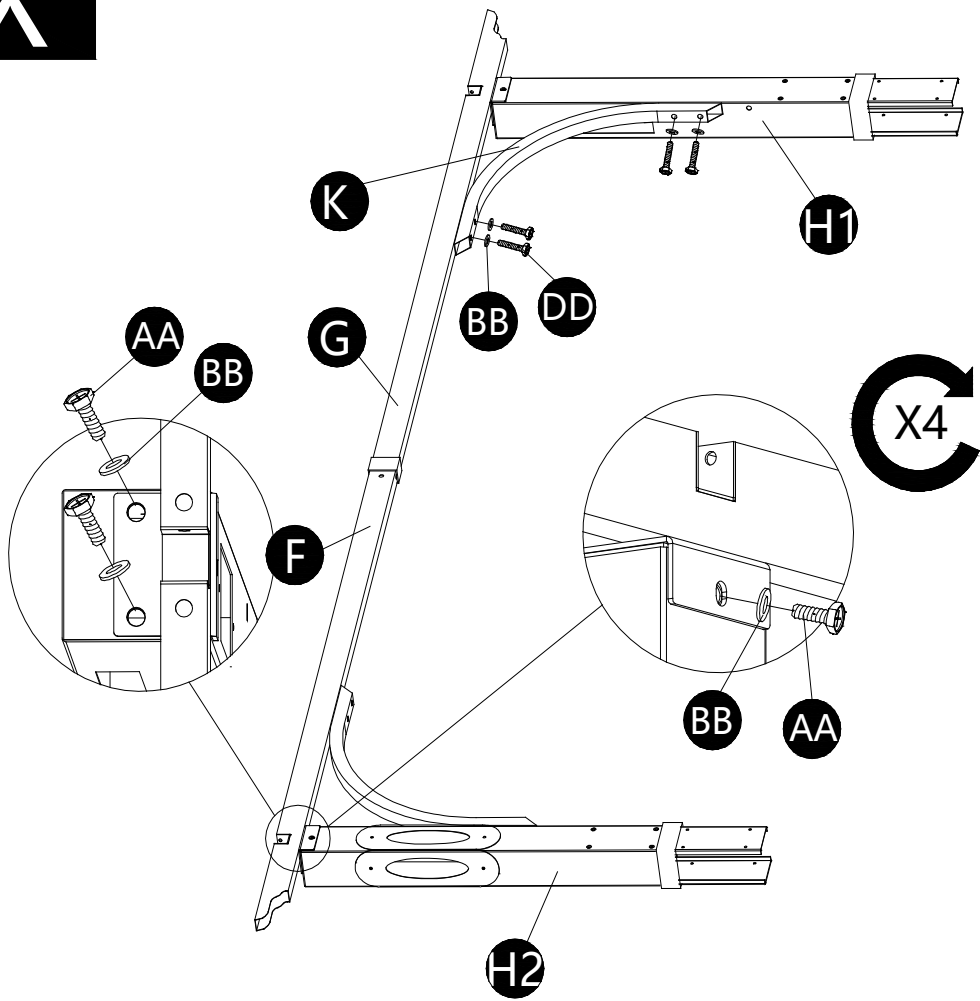




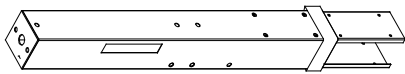
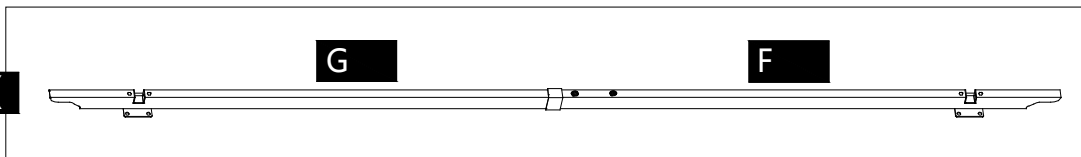




**2X**



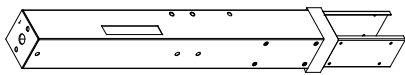
**2X**



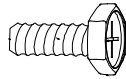
**H1<sub>X2</sub>**



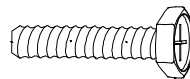
**K<sub>X4</sub>**



**H2<sub>X2</sub>**



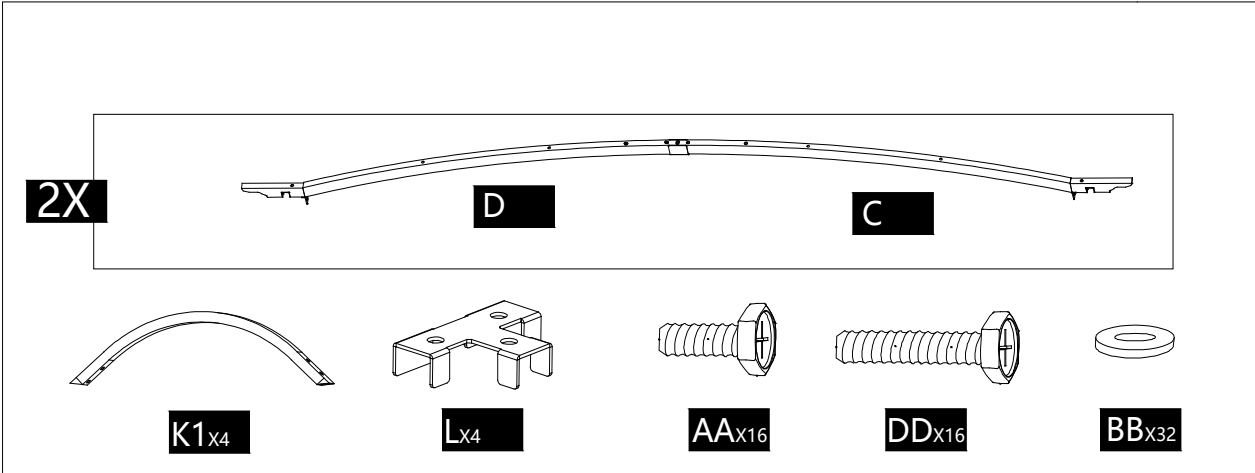
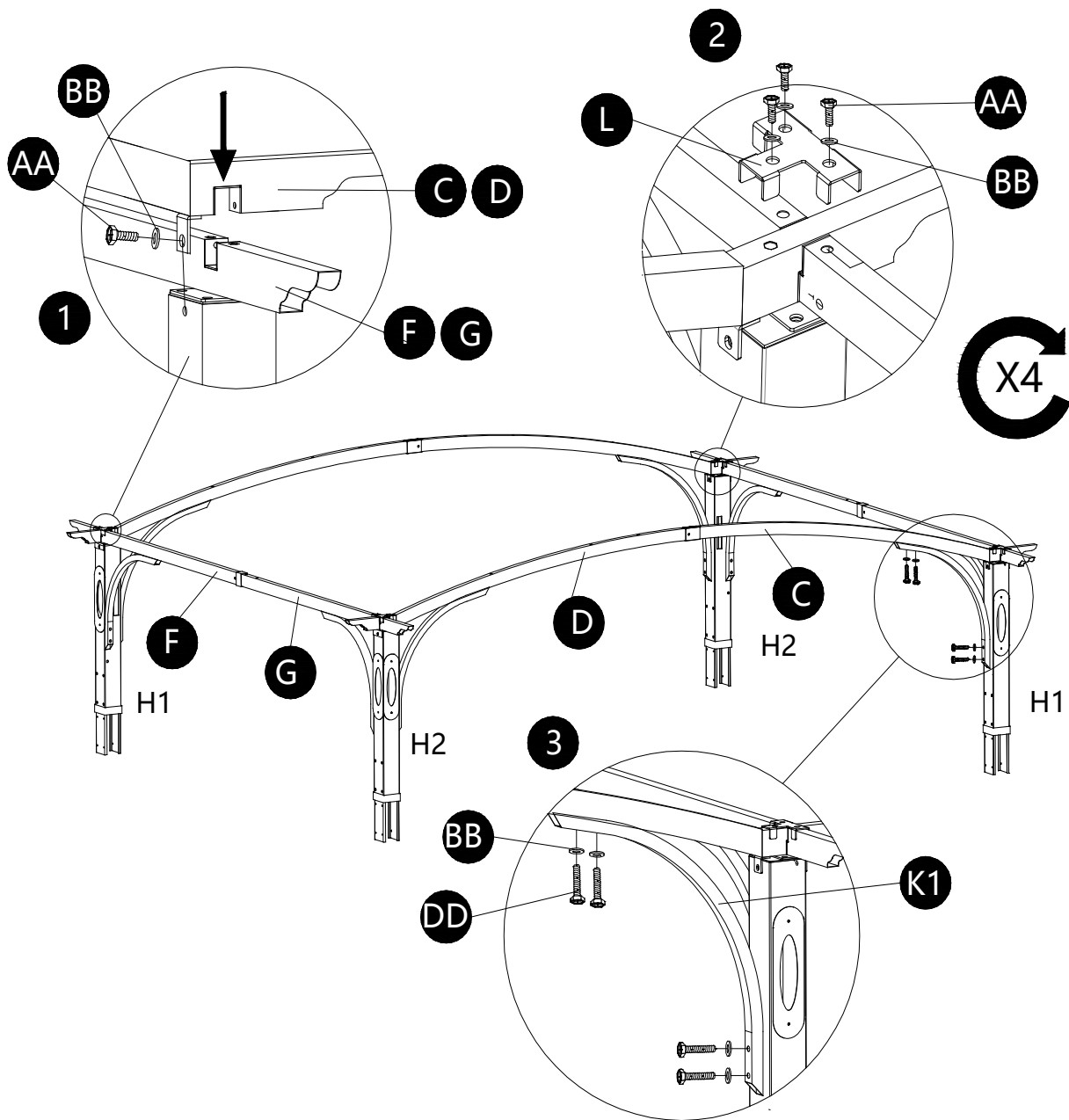
**AA<sub>X12</sub>**

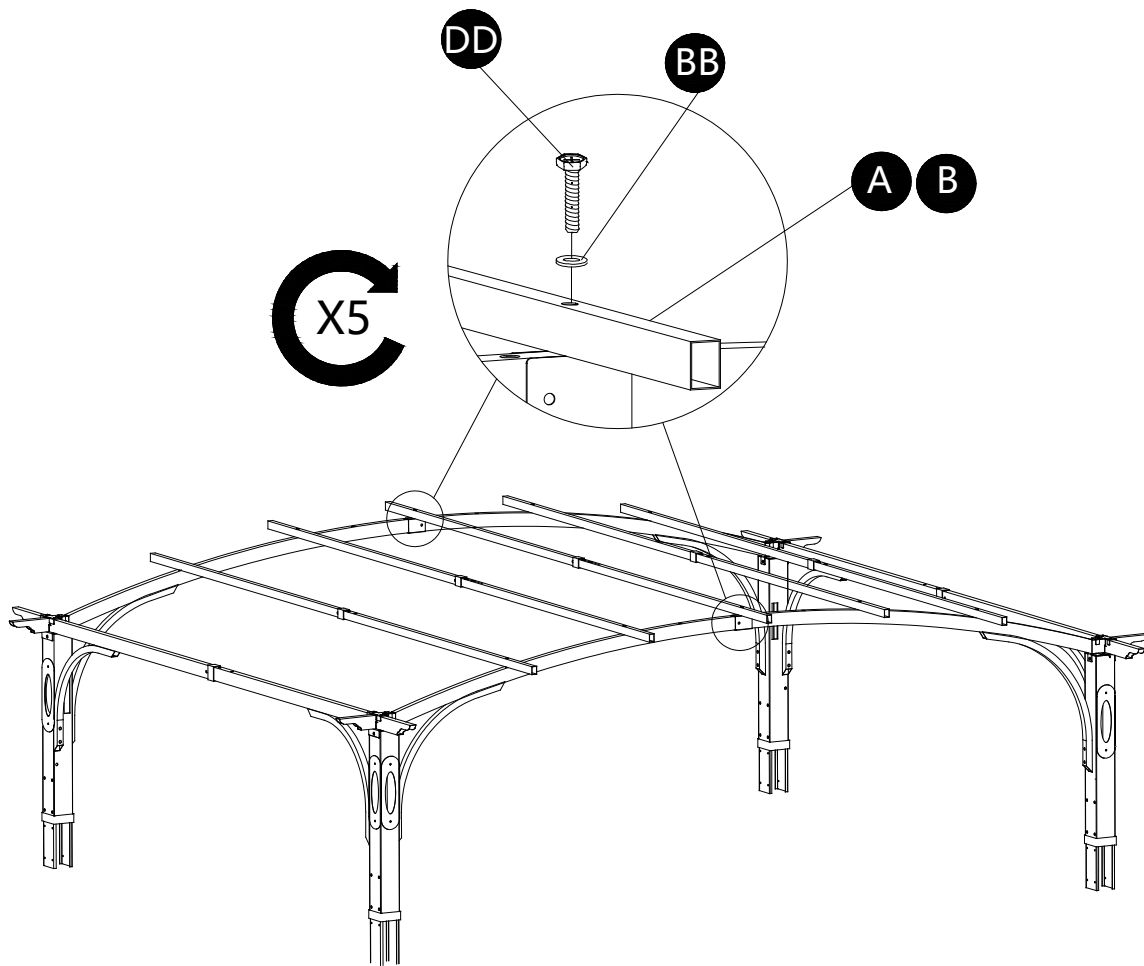


**DD<sub>X16</sub>**



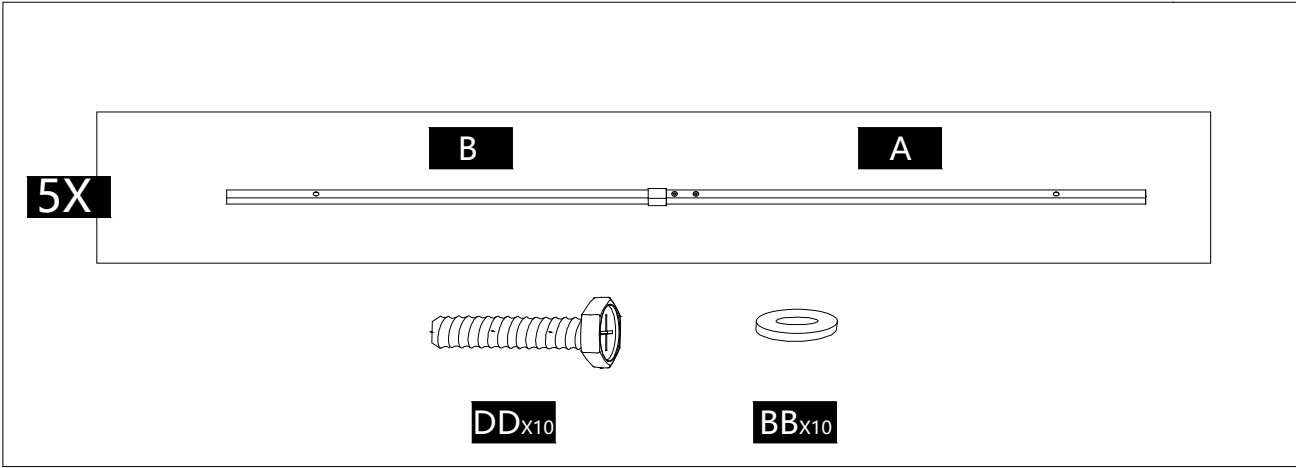
**BB<sub>X28</sub>**

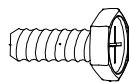
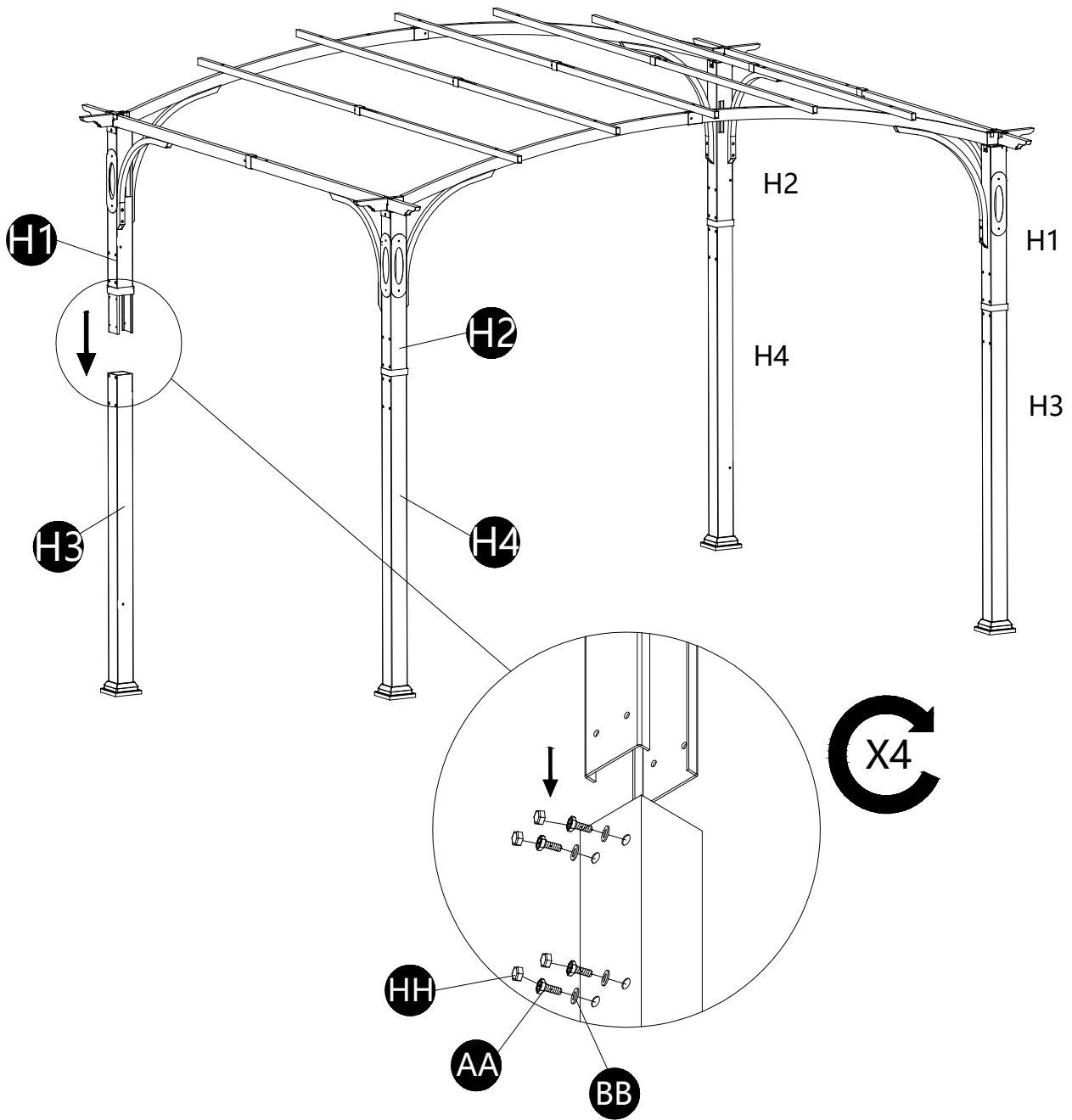




At the consideration of your safe, we designed the knock-down plan for our gazebo series, so that you will save the climbing part.

Please finish the gazebo installing on the ground first and then put up the bottom Post.





AA<sub>X32</sub>



BB<sub>X32</sub>



HH<sub>X32</sub>

